

5749621-1 ✓ ACTIVE

AMPLIMITE | AMPLIMITE 0.50 Series

TE Internal #: 5749621-1

IDC D-Sub Connectors, Plug, 30 – 28 AWG Solid Wire Size, .05 – .1 mm² Solid Wire Size, Shielded, AMPLIMITE 0.50 Series

[View on TE.com >](#)



Connectors > D-Shaped Connectors > D-Sub Connectors > IDC D-Sub Connectors > IDC D-Sub: Connector Kit, Plug, Signal, 1.27 mm



Connector & Housing Type: **Plug**

Solid Wire Size: .05 – .1 mm²

Shielded: **Yes**

Connector System: **Cable-to-Board, Cable-to-Cable**

[All IDC D-Sub: Connector Kit, Plug, Signal, 1.27 mm \(21\)](#)

Features

Product Type Features

Rails	Without
Connector & Housing Type	Plug
Connector System	Cable-to-Board, Cable-to-Cable
Connector Product Type	Connector Kit
Sealable	No
Connector & Contact Terminates To	Wire & Cable

Configuration Features

Number of Positions	20
Number of Rows	2
Compatible With Wire & Cable Type	Round Jacketed Cable

Body Features

Color	Black
	.025 in
Cover Material	Thermoplastic
Plug Shell Plating Material	Tin-Nickel Alloy
Plug Shell Material	Steel
Shell Material	Steel
Shell Plating Material	Tin over Copper



Contact Features

	30 µin
Contact Mating Area Plating Material	Gold or Gold Flash over Palladium Nickel
Contact Underplating Material	Nickel, Palladium Nickel
PCB Contact Termination Area Plating Material	Tin
Contact Base Material	Phosphor Bronze
Contact Current Rating (Max)	1 A

Termination Features

Termination Cover Type	Standard
Termination Cover Method	Unassembled
Termination Cover	Without
Termination Method to Wire & Cable	Insulation Displacement (IDC)

Mechanical Attachment

Mating Connector Lock	Without
Mounting Angle	None
Mating Connector Lock Type	Latch Blocks
Panel Mount Feature	Without
PCB Mount Retention Type	None
Detent	With
Connector Mounting Type	Cable Mount (Free-Hanging)

Housing Features

Housing Material	Thermoplastic
Housing Color	Black
Centerline (Pitch)	1.27 mm [.05 in]

Dimensions

Insulation Diameter (Max)	.91 mm
Accepts Wire Insulation Diameter Range	.74 – .91 mm [.029 – .036 in]
Solid Wire Size	.05 – .1 mm ²
Wire Size	.05 – .09 mm ²

Usage Conditions

Operating Temperature Range	-55 – 105 °C [-67 – 221 °F]
-----------------------------	-----------------------------

Operation/Application



Shielded	Yes
----------	-----

Circuit Application	Signal
---------------------	--------

Industry Standards

UL Flammability Rating	UL 94V-0
------------------------	----------

Cover Flammability Rating	UL 94V-0
---------------------------	----------

Packaging Features

Packaging Method	Package
------------------	---------

Packaging Quantity	25
--------------------	----

Other

Comment	Plug connector requires backshell kit for complete assembly
---------	---

Product Compliance

[For compliance documentation, visit the product page on TE.com>](#)

EU RoHS Directive 2011/65/EU	Not Yet Reviewed
------------------------------	------------------

EU ELV Directive 2000/53/EC	Compliant
-----------------------------	-----------

China RoHS 2 Directive MIIT Order No 32, 2016	No Restricted Materials Above Threshold
---	---

EU REACH Regulation (EC) No. 1907/2006	Current ECHA Candidate List: JUNE 2022 (224) Candidate List Declared Against: JAN 2022 (223) Does not contain REACH SVHC
--	--

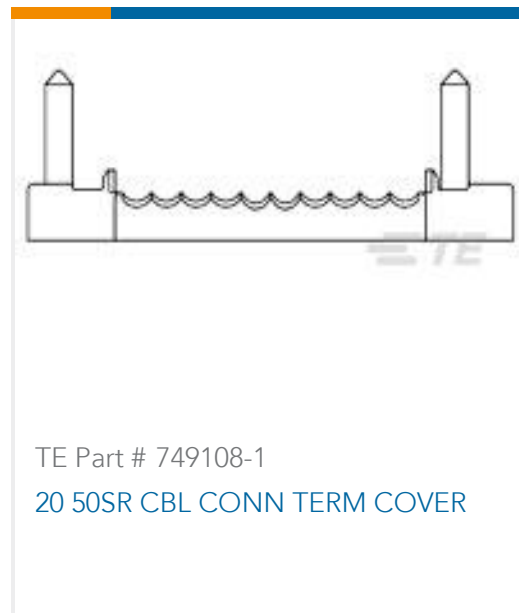
Halogen Content	Not Yet Reviewed for halogen content
-----------------	--------------------------------------

Solder Process Capability	Not applicable for solder process capability
---------------------------	--

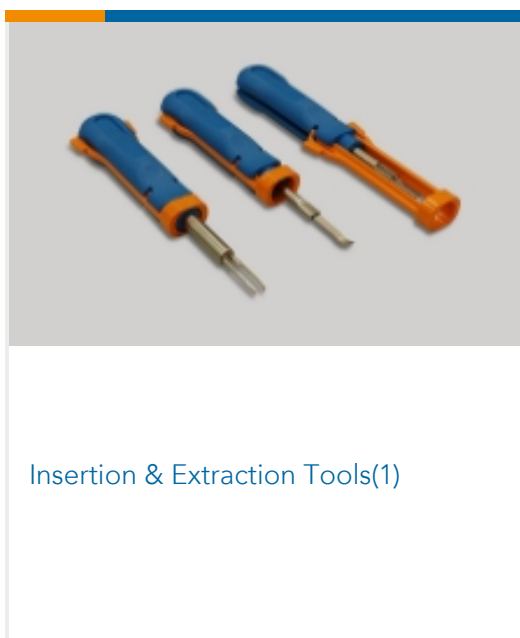
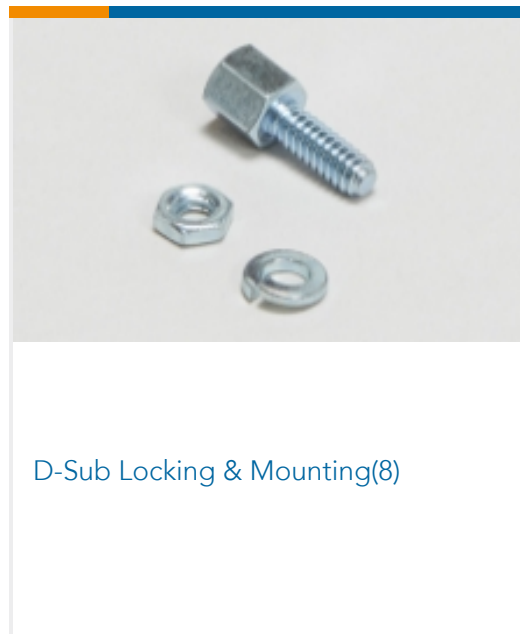
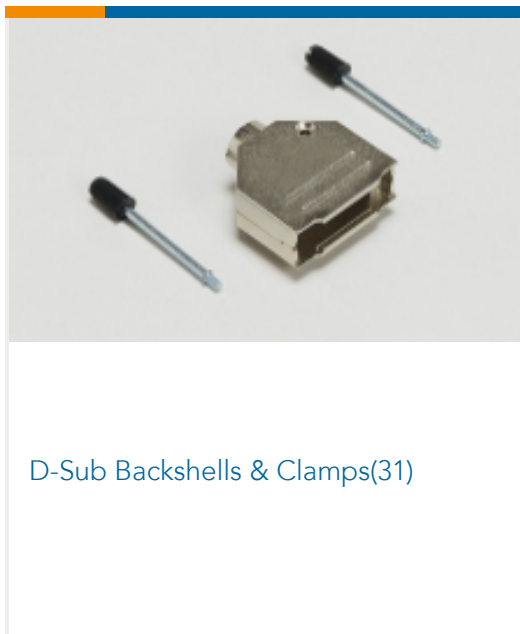
Product Compliance Disclaimer

This information is provided based on reasonable inquiry of our suppliers and represents our current actual knowledge based on the information they provided. This information is subject to change. The part numbers that TE has identified as EU RoHS compliant have a maximum concentration of 0.1% by weight in homogenous materials for lead, hexavalent chromium, mercury, PBB, PBDE, DBP, BBP, DEHP, DIBP, and 0.01% for cadmium, or qualify for an exemption to these limits as defined in the Annexes of Directive 2011/65/EU (RoHS2). Finished electrical and electronic equipment products will be CE marked as required by Directive 2011/65/EU. Components may not be CE marked. Additionally, the part numbers that TE has identified as EU ELV compliant have a maximum concentration of 0.1% by weight in homogenous materials for lead, hexavalent chromium, and mercury, and 0.01% for cadmium, or qualify for an exemption to these limits as defined in the Annexes of Directive 2000/53/EC (ELV). Regarding the REACH Regulation, the information TE provides on SVHC in articles for this part number is based on the latest European Chemicals Agency (ECHA) 'Guidance on requirements for substances in articles' posted at this URL: <https://echa.europa.eu/guidance-documents/guidance-on-reach>

Compatible Parts



Also in the Series | **AMPLIMITE 0.50 Series**



Documents

Product Drawings

20 50S CABLE PLUG CONN/COV KIT

English

CAD Files

3D PDF

3D

Customer View Model



[ENG_CVM_CVM_5749621-1_A.2d_dxf.zip](#)

English

Customer View Model

[ENG_CVM_CVM_5749621-1_A.3d_igs.zip](#)

English

Customer View Model

[ENG_CVM_CVM_5749621-1_A.3d_stp.zip](#)

English

By downloading the CAD file I accept and agree to the [Terms and Conditions](#) of use.

Datasheets & Catalog Pages

[AMPLIMITE Subminiature D Connectors - .050 Series Connector](#)

English

[AMPLIMITE .050 Series D-sub Connectors QRG](#)

English

Product Specifications

[Application Specification](#)

English

Instruction Sheets

[Customer Manual \(U.S.\)](#)

English

Agency Approvals

[UL](#)

English